



American
Weigh
Scales, Inc.

PN-Series
Precision Balance

INSTRUCTION MANUAL

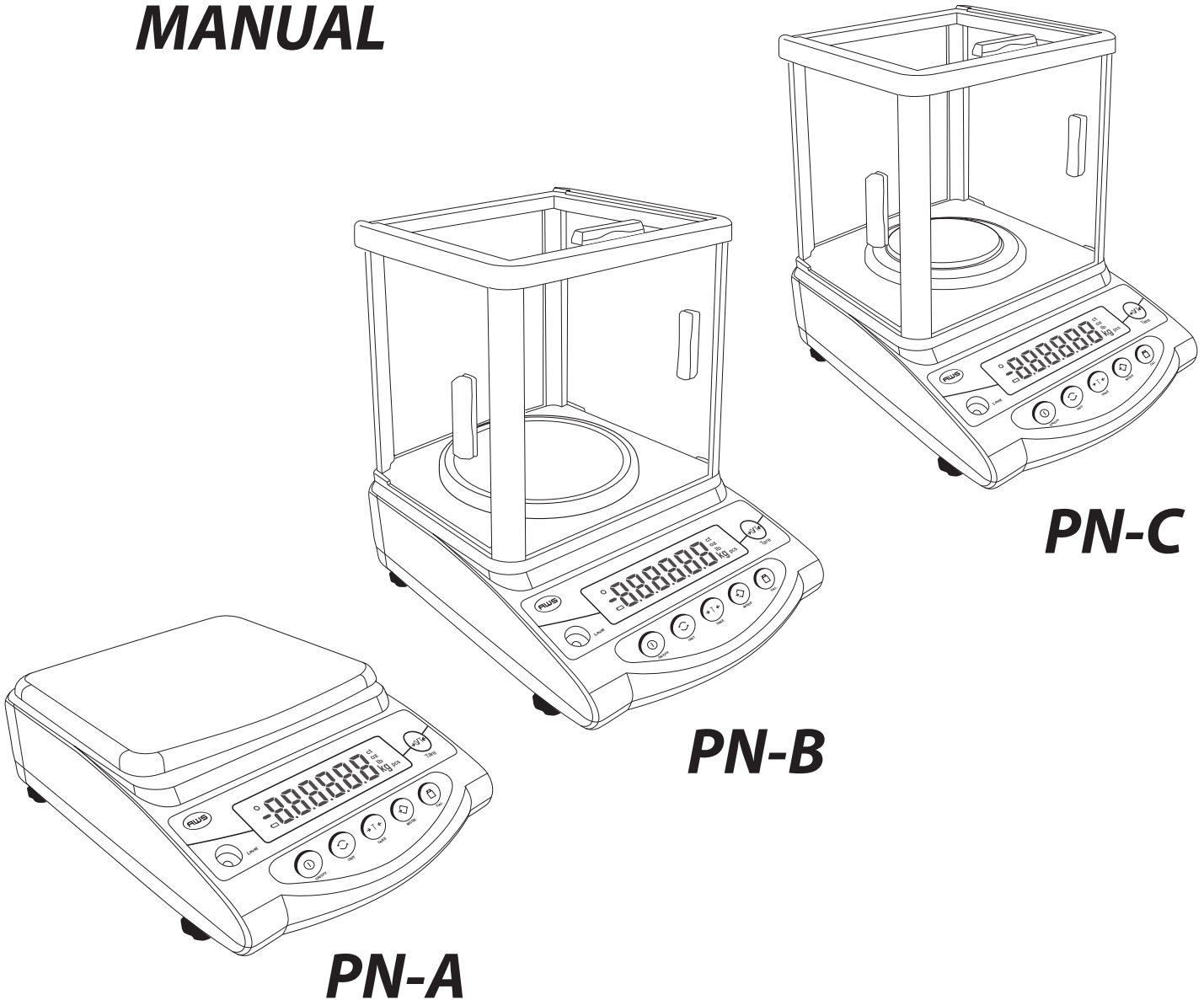


TABLE OF CONTENTS

1.	INTRODUCTION	
1.1	PN-A Balance Structure.....	P.3
1.2	PN-B, PN-C Balance Structure.....	P.4
1.3	Technical Specifications.....	p.7
2.	INSTALLATION	
2.1	Part List.....	p.6
2.2	Unpacking.....	p.6
2.3	Installation Instructions.....	p.6
2.4	Turning on the Balance and Self-testing.....	p.6
2.5	Underweighing.....	p.7
3.	OPERATION	
3.1	Sample Weighing.....	p.8
3.2	Weighing with a Container.....	p.8
3.3	Unit Switching.....	p.8
3.4	Parts Counting.....	p.8
3.5	Calibrating the Balance.....	p.8
3.6	Linear Calibration.....	p.9
4.	APPENDIX	
4.1	RS232 Serial Data Communication.....	p.10
4.2	Serial Number.....	p.10
4.3	Commands.....	p.10
4.2	Proper Care & Maintenance.....	p.10
4.3	Troubleshooting.....	p.11

1.1. PN-A Balance Structure

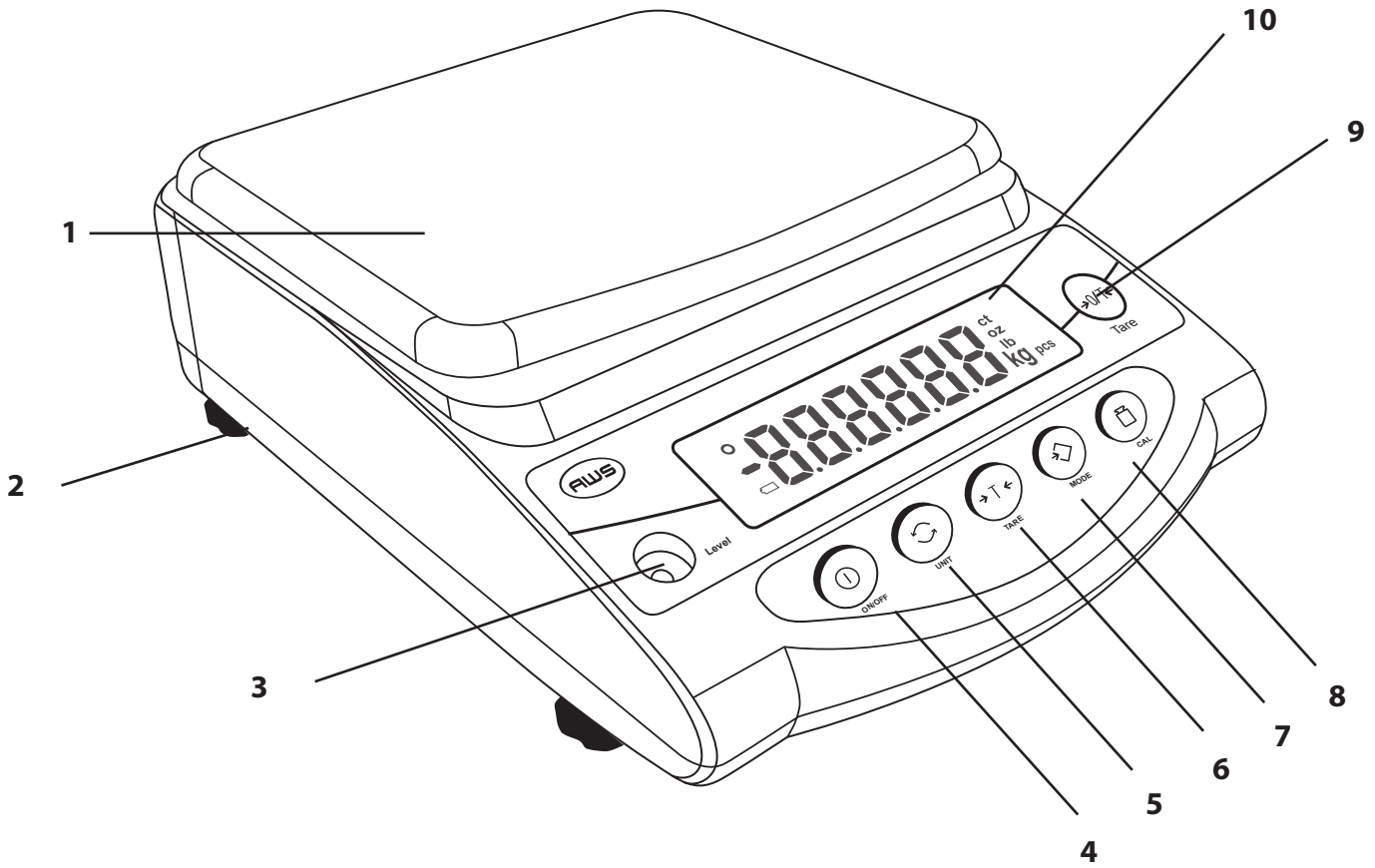


Figure 1.1

1	Weighing Pan
2	Leveling Foot
3	Bubble Level
4	ON/OFF Button

5	UNIT Button
6	TARE Button
7	MODE Button
8	CAL Button

9	TARE Button
10	Weight Display

1.2. PN-B, PB-C Balance Structure

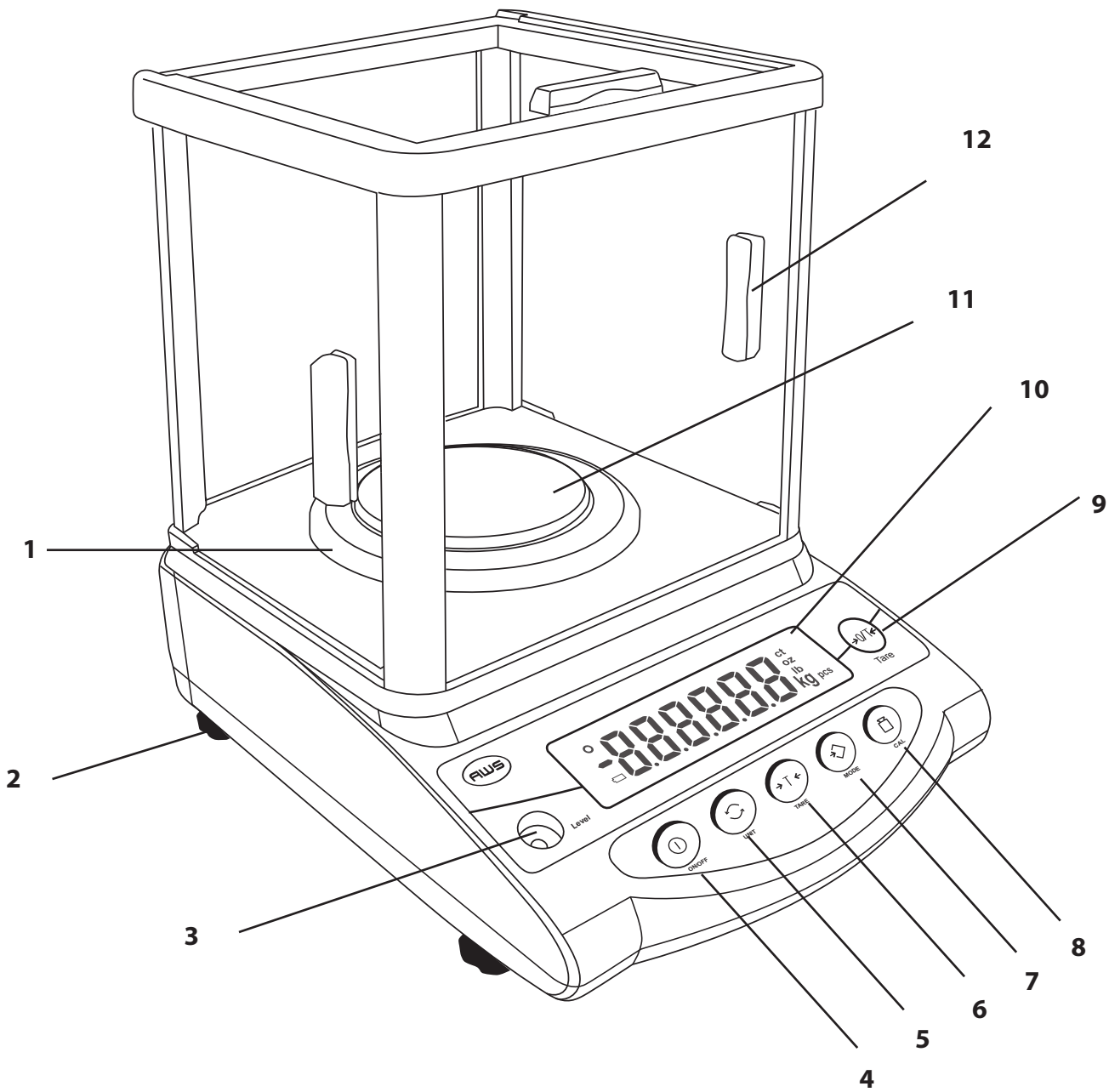


Figure 1.2

1	Draft Shield
2	Leveling Foot
3	Bubble Level
4	ON/OFF Button

5	UNIT Button
6	TARE Button
7	MODE Button
8	CAL Button

9	TARE Button
10	Weight Display
11	Weighing Platform
12	Sliding Door Handle

1.3. Technical Specifications

Model	PN-510A	PN-2100A	PN-6100A	PN-210B
Accuracy Class	II			
Weighing Capacity (Max)	510g	2100g	6100g	210g
Actual Scale Interval (d)	0.1g			0.01g
Verification Scale Interval (e)	10d			
Repeatability	±1d			
Linearity	±2d			
Span Calibration Weight	250 g	1000 g	3000 g	100 g
Linear Calibration Weights	500 g, 250 g	2000 g, 1000 g	6000 g, 3000 g	200 g, 100 g
Response Time	2~3 sec.			
Pan Size	Ø 5.0 in	Ø 5.4 in	6.3 x 7.4 in	Ø 5.0 in
Dimensions	11.0 x 7.9 x 3.0 in			11 x 7.9 x 10.4 in
Net Weight	4.4 lb		5.7 lb	8.8 lb
Power Requirements	8 x "AA" Batteries or AC Adapter Input:120V 60hz / Output:9V 200mA (included)			
Output Interface	Bi-Directional RS232			

Model	PN-610B	PN-2110B	PN-201C
Accuracy Class	II		
Weighing Capacity (Max)	610g	2100g	200g
Actual Scale Interval (d)	0.01g		0.001g
Verification Scale Interval (e)	10d		
Repeatability	±1d		
Linearity	±2d		
Span Calibration Weight	300 g	1000 g	100 g
Linear Calibration Weights	600 g, 300 g	2000 g, 1000 g	200 g, 100 g
Response Time	2~3 sec.		
Pan Size	Ø 5.0 in	Ø 5.4 in	Ø 3.1 in
Dimensions	11 x 7.9 x 10.4 in		
Net Weight	9.7 lb	13.2 lb	9.0 lb
Power Requirements	8 x "AA" Batteries or AC Adapter Input:120V 60hz / Output:9V 200mA (included)		
Output Interface	Bi-Directional RS232		

2. INSTALLATION

2.1. Part List

Balance1 pc.
Weighing Pan1 pc.
Draft Shield (Model PN-210C only)1 pc.
Calibration Weight0-2pcs
(depending on model)	
AC Adapter1 pc.
RS232 Cable (DB9M to DIN5M)1 pc.
Instruction Manual1 pc.
Warranty Card1 pc.

2.2. Unpacking

Carefully unpack the balance and remove it from its styrofoam supports. You may want to keep the original box and packing materials for storing the balance when not in use.

If the balance is damaged contact the supplier immediately. Keep all packing materials as they were when you received them.

2.3 Setting Up the Balance

Place the balance on a level surface, free of vibration. For the PN-C Series, there is a red security screw that must be loosened before first use. Remove any tape used to hold the glass doors secure in shipping and carefully set the scale platform into place (See Fig. 2.3a and 2.3b). You may want to keep the original box and packing materials for storing the balance

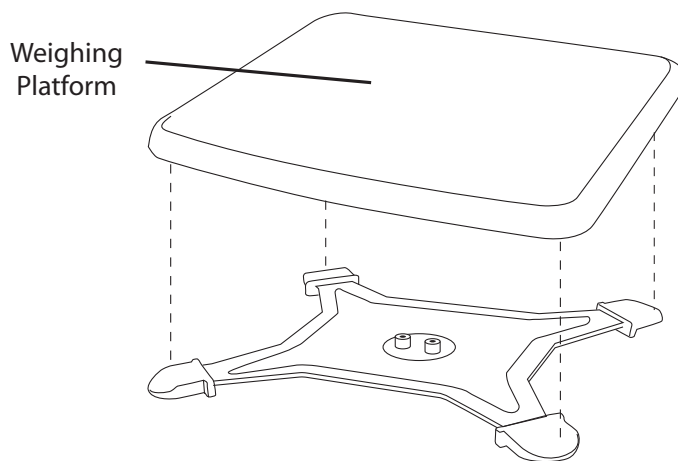


Fig. 2.3a (PN-A)

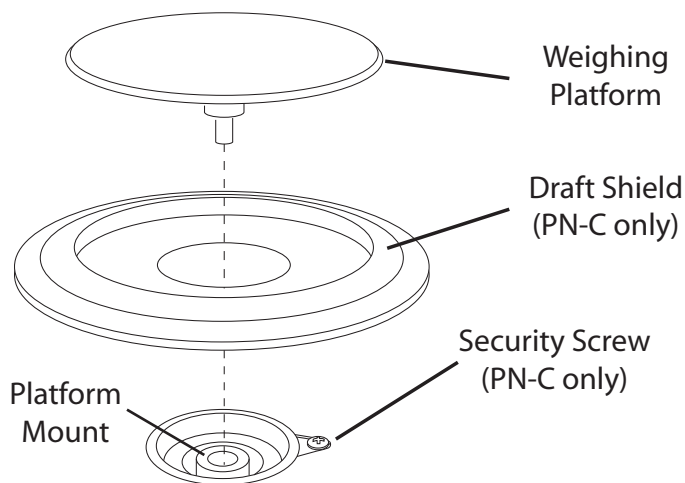


Fig. 2.3b (PN-B, PN-C)

when not in use.

If the balance is damaged contact the supplier immediately. Keep all packing materials as they were when you received them.

2.4 Turning on the Balance and Self-testing

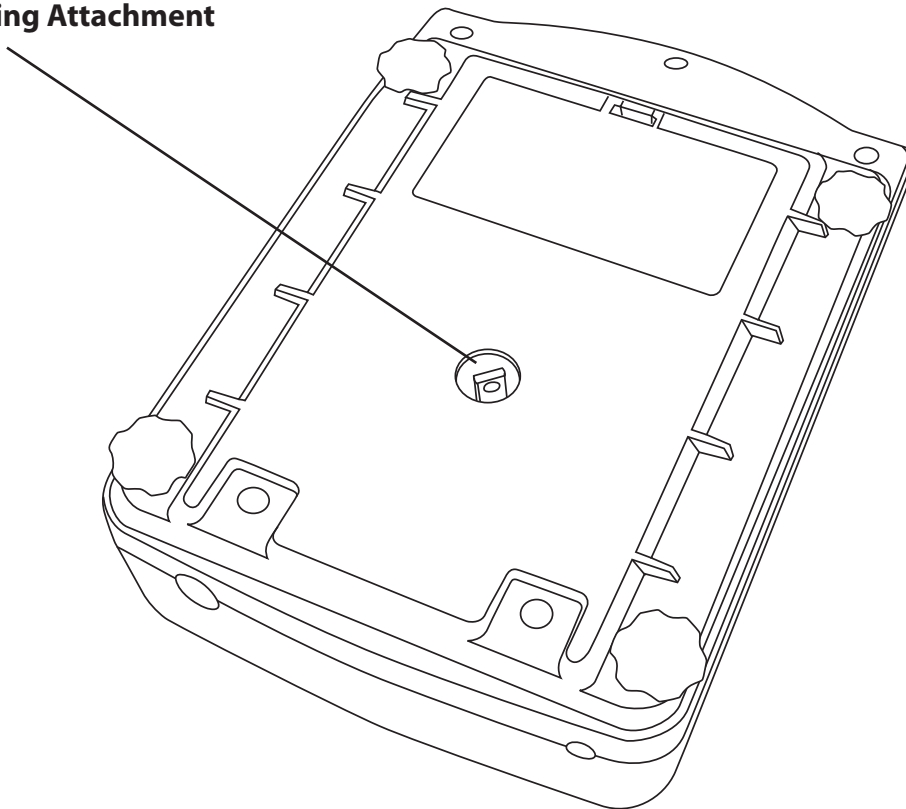
1. Connect the AC adapter to an available wall socket and plug the other end of the cable into the balance.
2. Press the ON / OFF key to turn the scale on. A display test will be performed (5 seconds).
3. Once the display shows "0.0g" the balance is ready to use.
4. To turn the scale off, press the ON / OFF key.

2.5. Underweighing

This balance is equipped with an underweighing feature that allows you to suspend items from an attachment below the balance. To use this feature, the balance should be supported in a way that allows the items to hang below the scale. This feature is useful for procedures such as specific gravity calculations.

NOTE: You should let the balance warm up for 20 ~ 30 minutes before use for best results.

Underweighing Attachment



3. OPERATION

3.1. Sample Weighing

1. Press TARE / ZERO to make the balance return to zero.
2. Load the sample onto the scale pan.
3. The weight is stable when g (depending on which weighing unit is active) appears on the display.

3.2. Weighing with a container

Sometimes it is necessary to weigh an object (such as a liquid) using a container. To display just the weight of the contents (net weight) and not the whole combined weight (gross weight), the TARE button is used.

1. Place an empty container on the weighing pan.
2. Once the weight stabilizes, press the TARE / ZERO key briefly. The display will return to zero.
3. Add the sample to the container.
4. The weight is stable when "o" appears in the top right corner of the display.

3.3. Unit Switching

This balance has 8 possible weighing units. They are gram (g), carat (ct), ounce (oz), troy ounce (oz), pound (lb), pennyweight (dwt), grain (gn), and Newton (N). Follow these instructions to change the weighing unit:

1. Press the UNIT button.
2. The weighing unit will cycle between g, ct, oz, ozt, lb, dwt, gn, and N with each press of the button.

3.4. Parts Counting

With items of uniform weight (ie. all the pieces are of equal weight value) it is possible to use this scale's parts counting feature to quickly and accurately obtain a piece count. To use the parts counting feature, follow these instructions:

1. Press the MODE key until the display shows "pcs" to indicate parts counting mode.
2. The display will show "10 pcs" to indicate that you should place a sample quantity of 10 pieces onto the platform. You may change the sample size by pressing the "CAL" button. Possible sample sizes are 10, 20, 50, 100, 150, 200, 250, and 500.
3. Press MODE again once you have selected the sample quantity placed on the platform.
4. You can now add any number of pieces to the platform (or container) and the display will show a count.
5. To exit counting mode press the MODE key.

Notes: The larger the sample size used, the more accurate the count will be. Tare can be used in this mode. The reference sample is not stored upon exiting parts counting mode.

3.5. Calibrating The Balance

The balance may need to be calibrated in certain situations such as:

- Before weighing for the first time
 - After the balance has not been used for some time
 - If the balance location has changed
 - If ambient temperatures have changed greatly
1. Prepare the calibration weight (See Section 1.3 for required weight).
 2. Clean the weighing pan and press TARE to re-zero the balance.

3. When the balance is stabilized press and hold the CAL button for 5 seconds.
4. The display will show “-CAL-” then the required weight will flash on the display.
5. Place the calibration weight onto the center of the platform and wait for the display to stop flashing.
6. You may now remove the weight. The scale will return to normal weighing mode

3.6. Linear Calibration

Linear calibration adjusts the balance at two or more points, rather than just one. To enter linear calibration, follow these steps:

1. Prepare the calibration weights (See Section 1.3 for required weight).
2. Clean the weighing pan and press TARE to re-zero the balance.
3. When the balance is stabilized, press and hold the CAL button for 5 seconds.
4. The display will show “-CAL-”, then the standard calibration weight will flash on the display.
5. At this point, press and hold the MODE button for 5 seconds.
6. The display will flash the first required calibration weight for linear calibration. Place the required weight onto the center of the platform.
7. Once the weight is accepted, the display will flash the next required calibration weight. Place the required weight onto the center of the platform. The weights value will be displayed when it is accepted.
8. When the last required calibration weight is removed, the display will return to zero to indicate that calibration is complete.

4. APPENDIX

4.1. RS232 Serial Data Communication

This balance has a Bi-Directional RS232 port for communication with a PC. When connected to a computer, the weight value can be sent to the computer and commands can be sent to the balance

Transfer Format: Asynchronous

Communication Protocol: 1 start bit, 8 data bits, 1 stop bit

Baud Rate: 600

ASCII Output:

1	2	3	4	5	6	7	8	9	10	11	12	13
Weight Data									Unit			

Example String: "0 0 0 1 2 3 4 5 c t _ _"

Meaning: 123.45ct (carats)

NOTE: The CD included with the balance is meant for demonstration purposes only. To install simply copy the program files to your computer and launch Weight Display.exe. By default, the program listens for weight data on serial port1.

4.2. Serial Number

When communicating with the balance from a PC, a serial number (from 1-100) is used to identify the balance. By default, the serial number is 27. To change the serial number, press and hold the UNIT and MODE buttons together until the display shows "No - ###" (### stands for the serial number). Tap the CAL button to change the serial number from 1-100. Press the MODE button when you are finished.

4.3. Commands

The following commands can be sent to the balance:

serial no. + 70H	Request weight data
serial no. + 71H	Enter Calibration Mode
serial no. + 72H	Enter Counting Mode
serial no. + 73H	Change weighing unit
serial no. + 74H	Tare the balance (zero)

4.4. Care & Maintenance

Please read all operating instructions carefully before use. Scales are precision instruments and should always be handled with proper care. To ensure years of reliable service, keep these simple tips in mind:

- Do not exceed the scales maximum capacity. Overloading your scale can permanently damage it!
- Avoid exposure to extreme heat or cold. Scales perform best at normal room temperature. If temperatures have changed dramatically, recalibration may be necessary.
- Allow your scale to warm up for three hours before performing initial calibration.

- Store your scale in a clean, dry location. Dust, dirt, and moisture can accumulate on the weighing sensors and electronics causing inaccuracy or malfunction.
- Avoid static electricity sources, as they can have an adverse effect on the weighing sensors.
- Always weigh on a flat and level surface, free from vibrations and drafts. The corner of a room is usually the most stable.
- Gently apply all items to be weighed. Do not drop items onto the weighing platform.
- Avoid dropping your scale. The warranty does not cover damage due to rough treatment or overload.
- Keep the weighing pan clean using a soft cloth. Do not use harsh chemicals.

4.5. Troubleshooting

Problem: The display shows "F - - -"

Solution:

1. The weight on the scale is in excess of the rated capacity. Remove the excess weight.
2. The balance may be improperly calibrated. Try recalibration (Section 3.5)

Problem: The display fluctuates.

Solution:

1. Vibration or wind is interfering with the measurement. Try using the balance in a more stable location.
2. Electronic balances can be affected by static electricity and radio waves. Make sure the area is static free and away from any strong radio wave emitting devices such as cordless phones.
3. The item on the platform is in motion. Wait for it to stabilize or try supporting it with whatever means is convenient.

Problem: The scale is weighing inaccurately.

Solution:

1. The scale requires recalibration. Follow the steps in Section 3.7.
2. The TARE feature has been used improperly. Remove the items and try again.
3. The balance is not level. Adjust the leveling feet until the bubble level is centered.
4. Battery power may be low (the "☐" symbol will appear). Replace the batteries.